

# na·de®

واردات و فروش سیستم های اعلام حریق

مورد تائید سازمان آتش نشانی

سیستم اعلام حریق آدرس پذیر

سیستم اعلام حریق متعارف

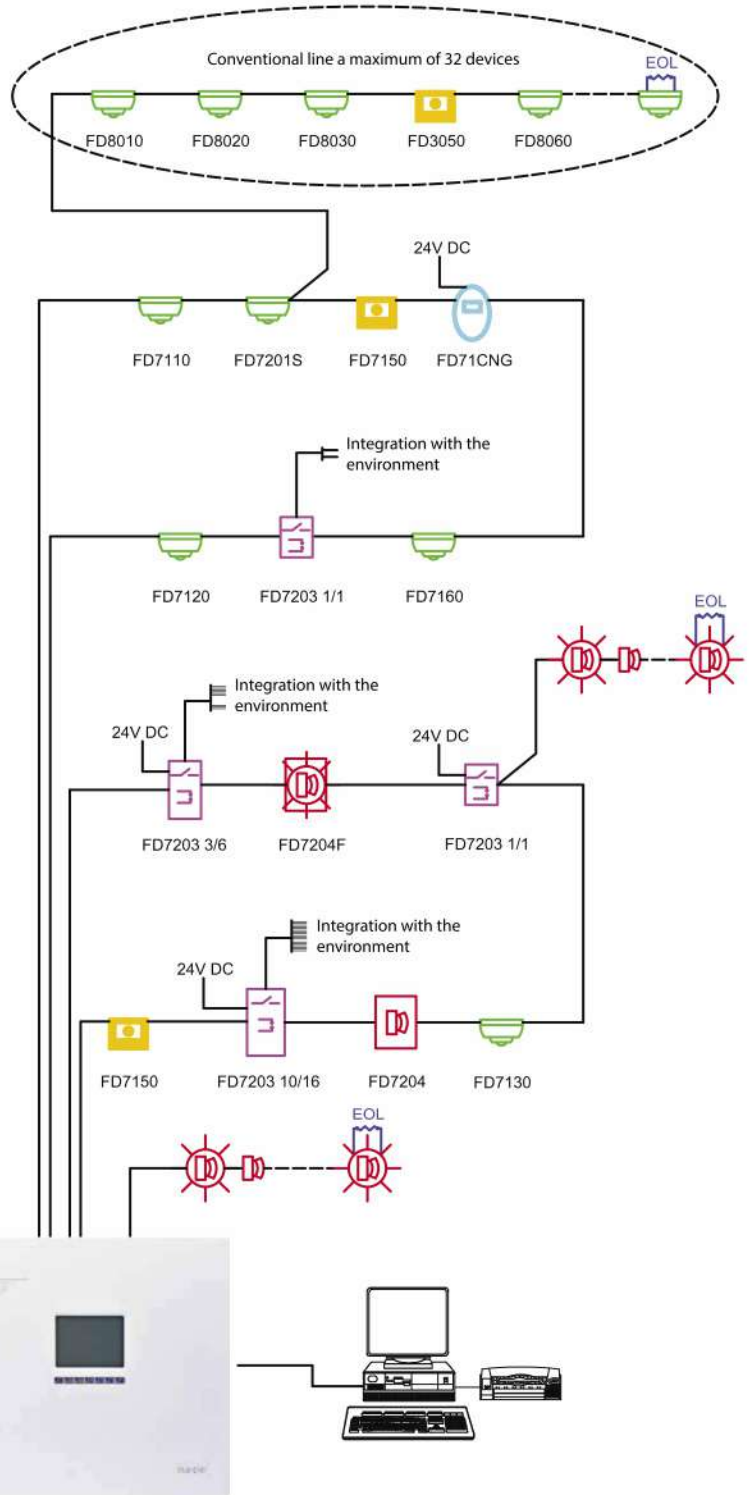


## Addressable Fire Alarm Systems

Systems that can monitor fire or fault locations and provide integration with peripheral devices are called addressable systems. In addressable systems, the signal coming out of the santral provides communication with the devices addressed along the line and returns back to complete the loop.

Each device has its own address. Fire detection on the loop line or a device crashing into an error state, the information is addressed forwarded to the santral.

Thanks to the network position of the control santral, fire detection can be carried out on very large areas and with the computer-aided surveillance software, it can be visually detected on the local map when a fire is detected.



## Addressable Fire Detectors

### IFS7002 FIRE ALARM SUPPLY

- Touch Panel Screen
- Single Loop Signal System
- Supports 125 Addresses
- Inclusion of up to 64 Locations
- 2 adjustable outputs
- Permanent Archive Memory up to 1023 events
- 1 x CAN Interface
- 1 x RS232 Interface



### IFS7002/2 FIRE ALARM SUPPLY

- Touch Panel Screen
- 2 loops signal system
- Supports 250 Addresses
- Inclusion of up to 250 Locations
- 2 adjustable outputs
- Three relay outputs
- Permanent Archive Memory up to 1023 events
- 2 x CAN Interface
- 1 x RS232 Interface



### IFS7002/4 FIRE ALARM SUPPLY

- Touch Panel Screen
- 4 loops signal system
- Supports 500 addresses
- Inclusion of up to 500 Locations
- 2 adjustable outputs
- Permanent Archive Memory up to 2046 events
- 2 x CAN Interface
- 1 x RS232 Interface



### IFS7002/R FIRE ALARM SUPPLY

- Touch Panel Screen
- Internal Buzzer
- Repeater panel



## IFS7000 Serie Addressable Fire Alarm Systems General features

- Simple operation with touchscreen graphic LCD
- Multi-language option
- 125 address capacity per loop
- Automatic addressing via the central
- Compliance with the standards EN 54-2 and EN 54-4
- Network operation with address panel of the IFS 7002 series
- Real time clock
- Input / output modules that can be connected to the connectable central loop
- Operation overnight / day
- Test mode for the central
- Manufactured using surface mounting technology
- Protection against electromagnetic interference

- A permanent check for fire and fault conditions (short circuit, open circuit, etc.)
- Automatic loop detection of device type and parameters
- Detection of the removed devices from the loop
- Two-way information exchange between the control center and devices on the loop
- Two-stage fire status, programmable time for each zone
- Countdown timer with monitoring of the waiting time of an alarm on the screen
- Buzzer for the fire detector
- Error status buzzer
- Possibility of networking with FS5200E fire extinguishing center
- With 'NA-DE INTELLECT' it is possible to monitor the fire detection system graphically on a PC



## Addressable Fire Detectors

FD7110 FIXED TEMPERATURE  
HEAT DETECTOR

- Internal Isolators

FD7120 HEAT AND RISING  
HEAT DETECTOR

- Spot type lock included
- Heat and rising heat fire detector
- Internal Isolators



## FD7130 OPTICAL SMOKE DETECTOR

- Internal Isolators



## FD7160 SMOKE AND HEAT DETECTOR

- Optical Smoke and Heat Detector
- Internal Isolators



Optical smoke detectors can be used wherever the smoke effect of a fire can take precedence. Examples are offices, schools, business centers, conference rooms, hotels, factories, warehouses, workshops, hospitals etc.

Dust, steam where fire heat can take precedence or smoke detectors can often trigger false alarms due to the ambient conditions. Can heat detectors be used in these areas.

Ex; Kitchens, Garages-Car Parks, Cold Storage Rooms, Laundry Rooms Factories etc.

Where the effects of smoke and temperature in a fire are varied in one area, combined detectors (smoke and heat) are recommended for use.

For example industrial plants, paper materials and areas with fuel-like materials and the plate rooms etc.

## FD7150R FIRE ALARM BUTTON

- Resettable
- Transparent
- Without Cover
- Internal Isolators



## FD71CNG ADDRESABLE GAS DEDECTOR

- Detects metan gas
- Status shown with LED indicator and internal siren
- EN50194-1
- Needs 18-30 V DC additional power supply



## Addressable Input / Output Modules

### FD7203 10/16

- 10 Inputs
- 16 Output
- ExternalSupply



### FD7203 3/6

- 3Inputs
- 6 Outputs
- ExternalSupply



### FD7203

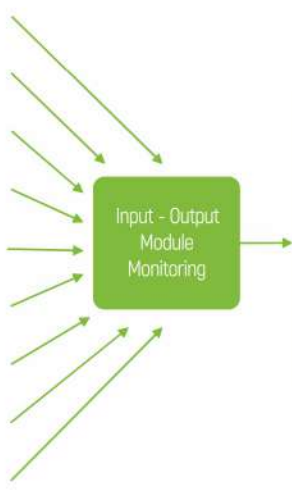
- Conventional System Addressing Adapter
- ExternalSuppl
- 1 Input
- 1 Output



Elevators, fans, card ID cards etc. must be checked as part of the fire automation. The parts of the mechanical components of the building and fire-fighting equipment such as the extinguishing of gas are monitored by input modules and are integrated into the fire alarm system. When checking the operation, the output module is used for the input / output modules.

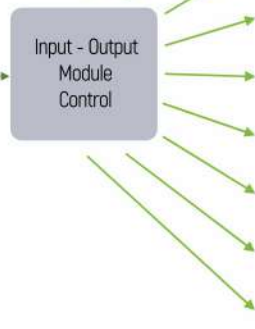
### Examples of the monitoring bodies

- Sprinkler system is activated
- Pressure fan is activated
- Info on / off of smoke damper
- The butterfly valve is closed
- Earthquake sensor is activated
- Info on / off of fire damper
- Emergency light is activated
- Emergency announcement is activated
- Input (monitoring) of input / output modules



**NA-DE**  
Addressable fire alarm system and warning systems

### Output (control) of input / output modules



- Elevator control
- Pressurization fans control
- Smoke dampers control
- Fire dampers control
- Energy input control
- Card pass control
- Air conditioning system control
- Emergency lighting control
- Emergency announcement control



## Addressable Fire Detector Accessories

## FD7201SA ADAPTER

- Conventional System Addressing Adapter
- External Supply



## FD7201S ADAPTER

- Conventional System Addressing Adapter
- External Power Supply
- Suitable to work with DB7100A



The conventional detectors and buttons that are used locally in addressable fire alarm systems are integrated on the addressing system with addressing modules.

## FD7204 SIREN

- Isolator included Siren
- Suitable to work with DB7100 lower base



## FD7204F Sirene

- Isolator included Siren and Warning Light
- Suitable to work with DB7100 lower base



No separate wiring is required for the siren in the fire alarm system, which can be included in cause-and-effect scenarios, and the operating energy, which can be in the addressable sirens via loop, are frequently used in areas such as hotel rooms.

## DB7100 BASE

- Standart Detector Base



## YKB02A

- Pipe-type smoke detector
- Addressable smoke detectors
- from a remote LED display
- detects the smoke in the pipe or in the vent



**YKB02A**; is used for smoke detection in the ventilation ducts. The body part is mounted on the outside of the ventilation duct. The smoke pipe enters the duct and then reaches the detector through the air pipe. The air taken up by the air circulation returns to the duct through the outlet pipe. If there is smoke in the circulating air, an alarm is carried out.



## Conventional Fire Alarm System

### Conventional system

In conventional systems, which are simpler in terms of structure and operating logic, detectors and buttons are connected to the zone lines of the conventional fire detection panel connected.

By connecting a termination resistor at the end of each zone line, it is ensured that the central line control over this resistor. Short circuit in zone line or when an open circuit error occurs, the central cannot follow the end of line resistance and warns the user with an error.

In the event of a fire, the detection detector or the alarm resistance of the active fire alarm button is activated and change occurs in the equivalent resistance of the zone line. The change in resistance changes the current in the range line. Conventional fire alarm systems also monitor this current change and carry out fire detection and warning processes. For this reason, the fire source is determined regionally in conventional systems. 32 fire alarm devices can be connected to each zone line.

Regional fire detection and warning systems based on notifications in places where there is easy access to the region where a fire is occurring during a fire and where there are few independent areas (Low-rise buildings, open-air storage, small buildings in a café and restaurant style for entertainment and gathering, etc.) are economic systems that are suitable for use.

- FS4000/2 Fire Alarm Santral (2 Zone)
- FS4000/4 Fire Alarm Santral (4 Zone)
- FS4000/6 Fire Alarm Santral (6 Zone)
- FS4000/8 Fire Alarm Santral (8 Zone)



### FS4000 SERIES GENERAL CHARACTERISTICS OF CONVENTIONAL FIRE PROTECTION STATION

- Compliance with the standards EN 54 -2 EN 54 -4
- Easy installation, LED display
- Additional fire relay output option for each area.
- Possibility to assign a delay of 1, 2, 3, 4, 5, 6 or 7 minutes to the outputs
- Test mode and deactivation for each area
- Compatibility with the conventional repeater FS5200R
- Network up to 15 panels with repeat panels

- Possibility to deactivate emergency exits
- Display of siren errors, grounding errors, network errors, battery errors etc.
- 2 fire relays,
- 2 conventional siren outputs
- 1 fault relay output

### FD4201 2/4/6/8 Exp. Module

- Conventional relay expansion module
- Relay output for 2/4/6/8 fires
- RS485 interface



**Conventional Fire Alarm Systems****FS 5100 FIRE ALARM CENTRAL**

- LCD screen
- 2 fire lines
- 2 siren outputs
- 2 relay outputs for fire
- Relay output for an error.
- Increase the number of regions with expansion modules
- Permanent Archive backup
- 84 event recording
- Compatibility with the conventional repeater FS5200R

**5101 EXPANSION MODULE**

- FS5100 Supply expansion module
- 3 Units of FIRE lines
- 3 Outputs of relay for FIRE

**5102 EXPANSION MODULE**

- For FS5100 Supply expansion module
- 6 Units of FIRE lines
- 3 Outputs of relay for FIRE





## Conventional Fire Alarm Systems

### FS5100 FIRE ALARM SUPPLY

- 2 Units of FIRE lines
- 2 Units of siren output
- 2 Outputs of relay for FIRE
- 1 Outputs of relay for breakdown
- Permanent Archive Memory
- LCD screen
- Record feature up to 34 events



### FS5200R REPEATER PANEL

- FS5200R Repeater Panel
- 1 Outputs of relay for FIRE
- 1 Outputs of relay for breakdown
- RS485 Interface



### 5201 EXPANSION MODULE

- Suitable with FS5200 Supply
- 8 Units of FIRE lines



### 5202 EXPANSION MODULE

- Suitable with FS5200 Supply
- 8 Units of FIRE lines
- 1 Unit of siren output



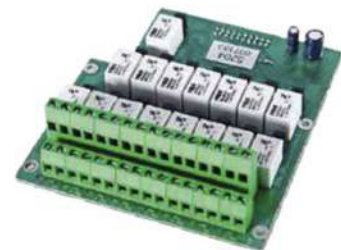
### 5203 EXPANSION MODULE

- Suitable with FS5200 Supply
- 8 Units of FIRE lines



### 5204 EXPANSION MODULE

- Suitable with FS5200 Supply
- 16 Units of FIRE lines



## Conventional Fire Alarm Devices

### DB8000 Base

- Standart Detector Base



### FD8204C Internal Siren

- Internal siren



### FD3050 Fire Alarm Button

- FIRE Alarm Button
- 10-30VDC
- Resettable
- Transparent and without cover



### SB 112F External siren

- External Siren
- 110dB
- 12-30V



### RI31 Parallel Warning Light

- Parallel Notification Lamp



### RI31S Buzzer

- Distance- Sound Indicator



### AKV01 BATTERY

- 12V / 4,5Ah
- Suitable with 1 Loop-Conventional
- Addressable Switchboard

### AKV02 BATTERY

- 12V / 18Ah
- Suitable with 2 and 4 loops
- Addressable Switchboard

### Intellect Computer Monitoring Software

- Displaying interface of fire alarm systems
- Suitable with IFS7000 Fire alarm Systems
- Suitable with FS5100, FS5200 Conventional Fire alarm Systems



## Conventional Fire Alarms

### TR6100-1 20-40 BEAM SMOKE DETECTOR

- BEAM Smoke Detector
- 20-40meters detection area
- Reflector Included

### TR6100-3 40-70 BEAM SMOKE DETECTOR

- BEAM Smoke Detector
- 70-100 Meter
- Reflector

### CYS-9024 POWER SOURCE

- 24V / 3A Power Source
- 35Unit siren connectable

### CYS-18024 POWER SOURCE

- 24V / 7,5A Power Source
- 50 Unit siren connectable

### FS5200P Power Supply

- Input voltage (187-253) V AC, 50Hz;
- Maximum consumption capacity: 120 A;
- Output voltage: (17-28) V DC;
- Output current (within the main power supply) - up to 3.5A (permanent)
- Output current (in the case of a lack of main power supply and with a complete spare battery): up to 3.5A / 2h;
- Replacement battery: 2x12V DC / 7Ah



### TD-110 CALL UNIT

- Phone Call Unit



### TR6100-2 40-70 BEAM SMOKE DETECTOR

- BEAM Smoke Detector
- 40-70 meters detection area
- Reflector Included

### CYS-4024 POWER SOURCE

- 24V / 1.5A Power Source
- 10 Unit siren connectable

### CYS-12024 POWER SOURCE

- 24V - 5A, Power Source
- 35 Unit siren connectable

### CO Detector

### Natural Gas Detector

### Earthquake Sensor

### DB8000R Relay Detector Base

- Relay Detector Base



