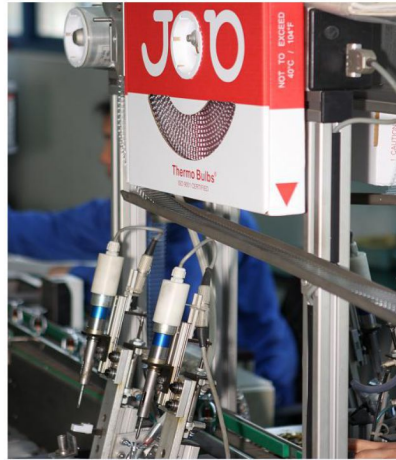


KSFCO

واردات و فروش انواع اسپرینکلر
مورد تأیید سازمان آتش نشانی
دارای تأییدیه UL



www.sabatam.com



TECHNICAL SPECIFICATION

Model & Sprinkler I.D. No.	SH003/SH004	SH005/SH006	SH017/SH018	SH007/SH008
Style	Upright	Pendent	Horizontal Sidewall	Concealed Pendent
Bulb Nominal Dia. & Response	5mm, Standard Response or 3mm, Quick Response			
Thread Size [Optional]	NPT1/2 or R1/2			
Nominal Orifice Size	1/2 Inch			
Nominal K-Factor	5.6 (U.S.)/80 (metric)			
Max. Working Pressure	175 psig/1.2 mpa (12 bar)			
Factory Hydrostatic Test	100% @ 500psig (3.4 mpa)			
Min. Operating Pressure	7 psig/0.048 mpa (0.48 bar)			
Sprinkler Finish [Optional]	Natural Brass, Chrome Plated or White Color Coated			
Escutcheon Finish	Chrome Plated or Color Coated In Any Color			
Listings and Approvals	UL(United States)/ULC(Canada)			

AVAILABLE TEMPERATURE RATING

Temp. Classification	Ordinary	Ordinary	Intermediate	Intermediate
Nominal Temp. Rating	135F/57C	155F/68C	175F/79C	200F/93C
Max. Ambient Temp. Allowed	115F/46C	135F/57C	155F/68C	180F/82C
Max. Recommended Ambient Temp.	100F/38C	100F/38C	150F/65C	150F/65C
Glass Bulb Color	Orange	Red	Yellow	Green

SPRINKLER MATERIALS

Frame	Bronze Forging UNS-C87400 or Casting DZR
Deflector	Brass UNS-28000
Glass Bulb	Glass with Glycerin Solution, JOB® G5 or F3
Set Screw	Brass UNS-28000
Button	Brass UNS-28000
Spring	Stainless Steel
Seal	Teflon® Tape
Escutcheon	Cold Rolled Steel

IN FIRE





KSFCO

SideWall Fire Sprinkler



1. DESCRIPTION

The KSFCO Horizontal Sidewall Standard/Quick Response Sprinkler (**KS805/KS806**) is a small, thermosensitive glass-bulb spray sprinkler available in different temperature ratings designed for use in light, ordinary or extra hazard, commercial occupancies such as bank, hotels, shopping malls, factories, refineries, chemical plants.

2. LISTINGS AND APPROVALS:



3. TECHNICAL DATA

- a) Minimum Operating Pressure: 7psi (0.5bar)
- b) Maximum Working Pressure: 175psi (12 bar)
- c) Factory Tested Hydrostatically to 500psi (35 bar)
- d) Thread Size: 1/2"NPT, 15mm BSPT, or can be provided on special request
- e) Nominal K-Factor: 5.6 U.S (80.6 Metric)
- f) Glass-bulb Temp. Rating 135°F/(57°C) 155°F/(68°C) 175°F/(79°C) 200°F/(93°C) 286°F/(141°C)

4. TEMPERATURE RATING

SIN	Temperature	Classification	Bulb Color
KS805/KS806	135°F/57°C	Ordinary	Orange
KS805/KS806	155°F/68°C	Ordinary	Red
KS805/KS806	175°F/79°C	Intermediate	Yellow
KS805/KS806	200°F/93°C	Intermediate	Green
KS805/KS806	286°F/141°C	High	Blue



WWW.SABATAM.COM

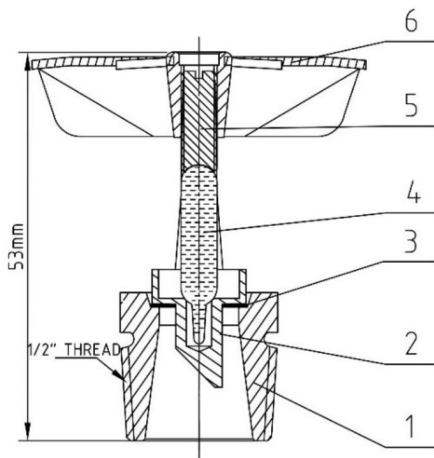
IN FIRE



5. OPERATION

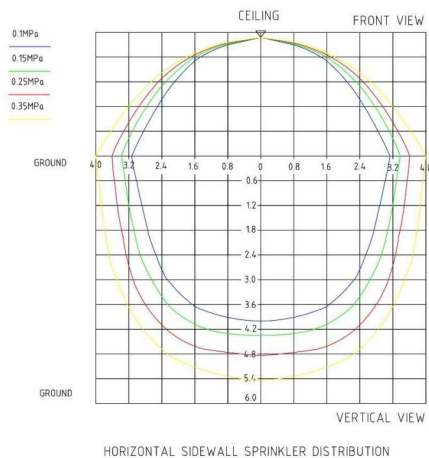
During fire conditions, the heat-sensitive liquid in the glass bulb expands, causing the glass to shatter, releasing the button and sealing spring assembly. Water flowing through the sprinkler orifice strikes the sprinkler deflector, forming a uniform spray pattern to extinguish or control the fire.

6. COMPONENTS



1. Frame: Bronze Forging UNS-C46500
2. Button: Brass HPb59-1
3. Sealing Assembly: Teflon [®] coated Stainless Steel Spring Washer
4. Glass Bulb: JOB [®] G5 For KS805 JOB [®] F3 For KS806
5. Compression Screw: Bronze UNS-C3604
6. HSW Deflector: Brass H62

7. DISTRIBUTION





KSFCO

Upright Fire Sprinkler



1. DESCRIPTION

The KSFCO Upright Standard/Quick Response Sprinkler (**KS803/KS804**) is a small, thermosensitive glass-bulb spray sprinkler available in different temperature ratings designed for use in light, ordinary or extra hazard, commercial occupancies such as bank, hotels, shopping malls, factories, refineries, chemical plants.

2. LISTINGS AND APPROVALS:



3. TECHNICAL DATA

- a) Minimum Operating Pressure: 7psi (0.5bar)
- b) Maximum Working Pressure: 175psi (12 bar)
- c) Factory Tested Hydrostatically to 500psi (35 bar)
- d) Thread Size: 1/2"NPT, 15mm BSPT, or can be provided on special request
- e) Nominal K-Factor: 5.6 U.S (80.6 Metric)
- f) Glass-bulb Temp. Rating 135°F/(57°C) 155°F/(68°C) 175°F/(79°C) 200°F/(93°C) 286°F/(141°C)

4. TEMPERATURE RATING

SIN	Temperature	Classification	Bulb Color
KS803/KS804	135°F/57°C	Ordinary	Orange
KS803/KS804	155°F/68°C	Ordinary	Red
KS803/KS804	175°F/79°C	Intermediate	Yellow
KS803/KS804	200°F/93°C	Intermediate	Green
KS803/KS804	286°F/141°C	High	Blue

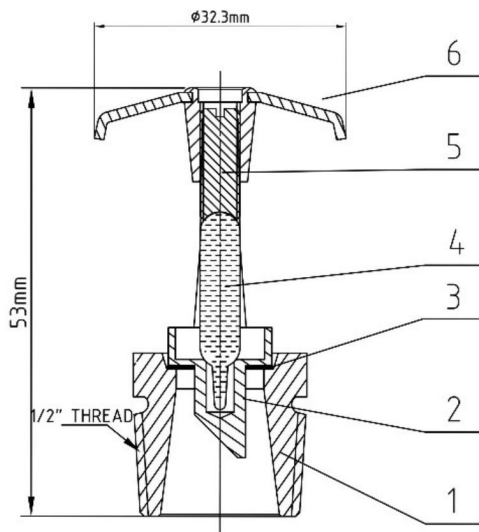


WWW.SABATAM.COM

5. OPERATION

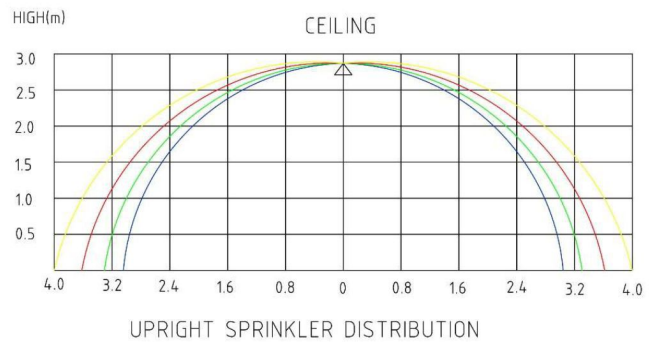
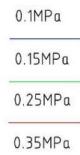
During fire conditions, the heat-sensitive liquid in the glass bulb expands, causing the glass to shatter, releasing the button and sealing spring assembly. Water flowing through the sprinkler orifice strikes the sprinkler deflector, forming a uniform spray pattern to extinguish or control the fire.

6. COMPONENTS



1. Frame: Bronze Forging UNS-C46500
2. Button: Brass HPb59-1
3. Sealing Assembly: Teflon® coated Stainless Steel Spring Washer
4. Glass Bulb: JOB® G5 For KS803 JOB® F3 For KS804
5. Compression Screw: Bronze UNS-C3604
6. HSW Deflector: Brass H62

7. DISTRIBUTION





KSFCO

Pendent Fire Sprinkler



1. DESCRIPTION

The KSFCO Pendent Standard/Quick Response Sprinkler (**KS801/KS802**) is a small, thermosensitive glass-bulb spray sprinkler available in different temperature ratings designed for use in light, ordinary or extra hazard, commercial occupancies such as bank, hotels, shopping malls, factories, refineries, chemical plants.

2. LISTINGS AND APPROVALS:



3. TECHNICAL DATA

- a) Minimum Operating Pressure: 7psi (0.5bar)
- b) Maximum Working Pressure: 175psi (12 bar)
- c) Factory Tested Hydrostatically to 500psi (35 bar)
- d) Thread Size: 1/2"NPT, 15mm BSPT, or can be provided on special request
- e) Nominal K-Factor: 5.6 U.S (80.6 Metric)
- f) Glass-bulb Temp. Rating 135°F/(57°C) 155°F/(68°C) 175°F/(79°C) 200°F/(93°C) 286°F/(141°C)

4. TEMPERATURE RATING

SIN	Temperature	Classification	Bulb Color
KS801/KS802	135°F/57°C	Ordinary	Orange
KS801/KS802	155°F/68°C	Ordinary	Red
KS801/KS802	175°F/79°C	Intermediate	Yellow
KS801/KS802	200°F/93°C	Intermediate	Green
KS801/KS802	286°F/141°C	High	Blue

IN FIRE



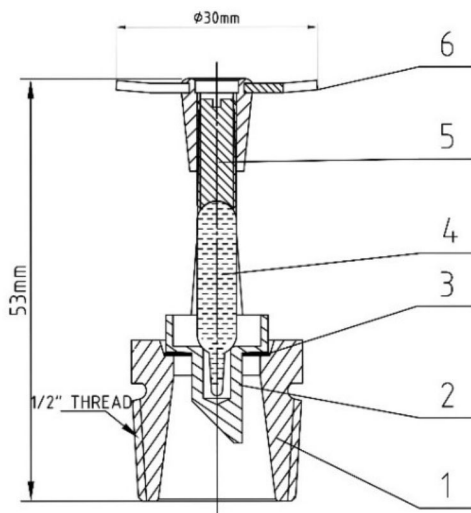
WWW.SABATAM.COM

Pendent Fire Sprinkler

5. OPERATION

During fire conditions, the heat-sensitive liquid in the glass bulb expands, causing the glass to shatter, releasing the button and sealing spring assembly. Water flowing through the sprinkler orifice strikes the sprinkler deflector, forming a uniform spray pattern to extinguish or control the fire.

6. COMPONENTS



1. Frame: Bronze Forging UNS-C46500
2. Button: Brass HPb59-1
3. Sealing Assembly: Teflon® coated Stainless Steel Spring Washer
4. Glass Bulb: JOB® G5 For KS801 JOB® F3 For KS802
5. Compression Screw: Bronze UNS-C3604
6. HSW Deflector: Brass H62

7. DISTRIBUTION

- 0.1MPa
- 0.15MPa
- 0.25MPa
- 0.35MPa

