

WEFLO®

واردات و فروش شیرآلات فهرست شده آتش نشانی
مورد تأیید سازمان آتش نشانی

WEFLO VALVE CO., LTD



www.sabatam.com

Specifications

- Meet or exceed the requirements of AWWA C515 Standard.
- Full Waterway.
- Adjustable Packing.
- Rubber Fully Encapsulated Ductile Iron Wedge.
- Handwheel - open left or open right.
- Face to Face Dimension complies with ASME B16.10 and EN558 series 3.
- Flange and Drilling complies with ASTM B16.1 Class 125.
- UL/ULC 262 Listed, FM 1120/1130 Approved and GOST Certified.
- ANSI/NSF 61 & 372 Certified.
- Rated Working Pressure:
300 psi for 2" to 12"
250 psi for 14" to 18"
200 psi for 20" to 24"

Corrosion Protection

- Fusion Bonded Epoxy Coated Interior and Exterior to

Schematic

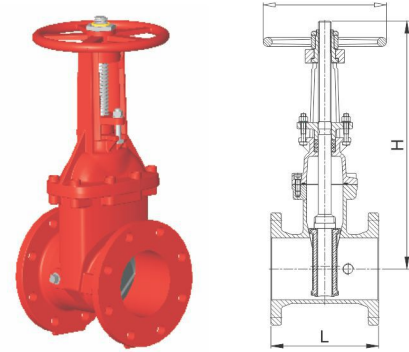


FIG. F0111-300 (Size 2" to 12")

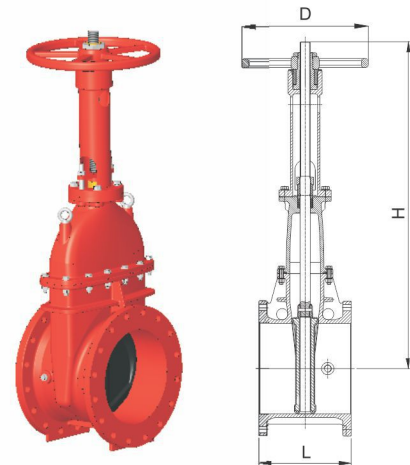


FIG. F1111-250 (Size 14" to 18")

FIG. F1111-200 (Size 20" to 24")

Material Specifications

Part	Material	ASTM Specification
Body	Ductile Iron	A536 Grade 65-45-12
Wedge	EPDM Fully Encapsulated Ductile Iron	
Wedge Nut	14"-24" Bronze	B148 C95200
Bonnet	Ductile Iron	A536 Grade 65-45-12
Stem	Stainless Steel	A276 Type 304
Yoke	Ductile Iron	A536 Grade 65-45-12
Stem Nut	Bronze	B148 C95200
Packing	Graphite	Non-Asbestos
Gland	Ductile Iron	A536 Grade 65-45-12
Gland Stud	Stainless Steel	F593 Grade 304
Fasteners	Carbon Steel	A307 Grade B
Body/Bonnet Gasket	EPDM	D2000
Plug	Malleable Iron	A47 Grade 22010
Handwheel	Ductile Iron	A536 Grade 65-45-12

Options

- With Supervisory Tamper Switch.
- ASTM B150 or other Standard Bronze Stem.
- ASTM A276 Type 316 Stem.
- Stainless Steel Fasteners: A2-70 or A4-70.
- BURN-S (SBR) available for Frecking Waste Water.
- Other Flange Types available upon request.

Main Dimensions (mm/inch)

Size	2	2.5	3	4	5	6	8
L	178/7.0	190/7.5	203/8.0	229/9.0	254/10.0	267/10.5	292/11.5
H (OPEN)	395/15.5	435/17.1	505/19.9	570/22.4	660/26.0	765/30.1	965/38.0
D	185/7.3	185/7.3	255/10.0	255/10.0	305/12.0	305/12.0	355/14.0

Size	10	12	14	16	18	20	24
L	330/13.0	356/14.0	381/15.0	406/16.0	432/17.0	457/18.0	508/20.0
H (OPEN)	1150/45.3	1340/52.8	1660/65.4	1860/73.0	2082/82.0	2290/90.0	2695/106.1
D	445/17.5	445/17.5	535/21.1	535/21.1	610/24.0	610/24.0	762/30.0

Notes

- 2" to 12" valves are GOST certificated.
- 2.5" to 24" valves are ULC listed.
- Designs, materials and specifications shown are subject to change without notice due to the continuous development of our products.





Vane Type Water Flow Detector

Specifications

- Equipped with tamper resistant screws to prevent unauthorized entry.
- Two synchronized switches are enclosed in a durable terminal block. Terminals are easy to read and wire.
- Built-In mechanical time delay feature; minimizing the risk of false alarms due to pressure surges or air trapped in the system.
- Offers excellent performance during riser vibrations caused by large in-rushes of water.
- Designed and built for accuracy and repeatability.
- Flow sensitivity range
UL/FM: 4-10 GPM (15-38 LPM)
CE: 30-57L/min
- Contact rating
UL/FM: 8A at 250VAC, 3A at 24VDC, 2.5A at 30VDC
CE: 8A at 125/250VAC 3A at 24VDC

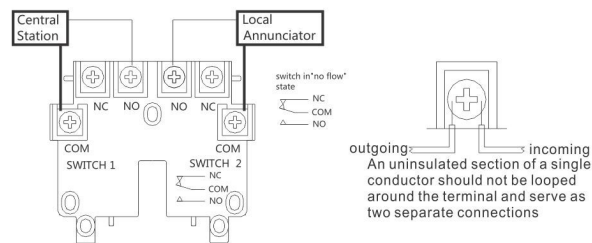
Working Pressure and Temperature

- UL/FM: 450psi @ 0 C- 68 C temperature.
- CE: 16bar @ 0°C- 68°C temperature.

Material Specifications

Fig.	Saddle	Cover
F6001	Aluminum B85 A04130	PC Aluminum B85 A04130
F6001T	Bronze, B148 C95200	PC Aluminum B85 A04130

Typical Connections



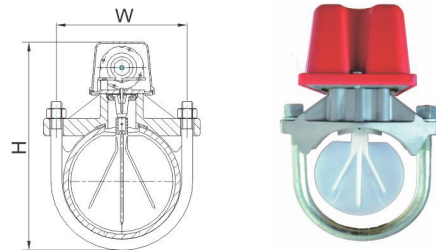
IN FIRE

-UL/ULC Listed, FM Approved, GOST and CE Certificated F6001

Dimensions (mm / Inch)

Size	2	2.5	3	4	5
W	84 / 3.31	92 / 3.62	104 / 4.09	133 / 5.24	160 / 6.30
H	190 / 7.48	200 / 7.87	220 / 8.66	245 / 9.65	270 / 10.63
Nominal Pipe Size OD.	60.3 / 2.37	73 / 2.87	88.9 / 3.50	114.3 / 4.50	141.3 / 5.56
Pipe Wall Thickness	2.77 - 3.91 / 0.11 - 0.15	3.05 - 5.16 / 0.12 - 0.20	3.05 - 5.49 / 0.12 - 0.22	3.05 - 6.02 / 0.12 - 0.24	3.40 - 6.55 / 0.13 - 0.26

Size	6	8
W	187 / 7.36	239 / 9.41
H	300 / 11.8	350 / 13.78
Nominal Pipe Size OD.	168.3 / 6.63	219.1 / 8.63
Pipe Wall Thickness	3.40 - 7.11 / 0.13 - 0.28	3.76 - 8.18 / 0.15 - 0.32

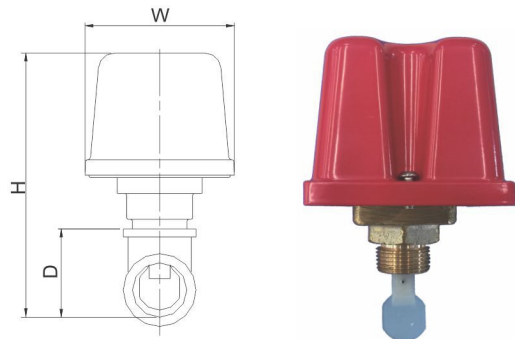


- UL/ULC Listed, FM Approved, CE Certificated F6001T

Dimensions (mm / Inch)

Size	1	1-1/4
W	93 / 3.67	93 / 3.67
H	164 / 6.46	172.5 / 6.79
D (Depth)	54 / 2.12	62.5 / 2.46

Size	1-1/2	2
W	93 / 3.67	93 / 3.67
H	179 / 7.05	192 / 7.56
D (Depth)	69 / 2.71	82 / 3.22



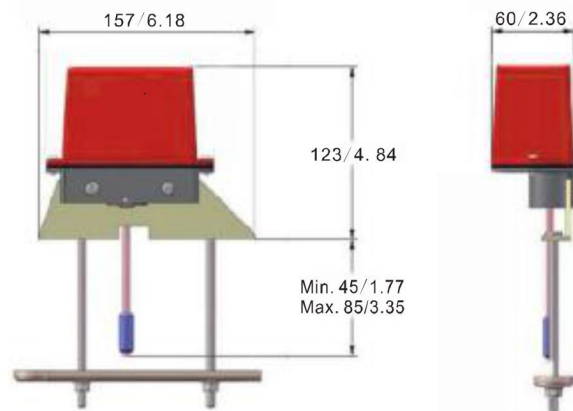
Notes
 • Designs, materials and specifications shown are subject to change without notice due to the continuous development of our products.



Features

- Weight: 0.6 kg.
- Enclosure:
 - Cover: Die cast, Aluminum Alloy, ASTM B85 A04130. Finish: Red powder coat.
 - Base: Die cast, Aluminum Alloy, ASTM B85 A04130. All parts have corrosion resistant finishes.
- Cover tamper:
 - Tamper resistant screws.
 - Cover tamper switch available.
 - 3 AMPS / 5 AMPS at 125/250 VAC.
- Contact Ratings:
 - WOSY-1: one set of SPDT.
 - WOSY-2: two sets of SPDT.
 - WOSY-3: two sets of SPDT and cover tamper switch.
 - 10 AMPS at 125/250 VAC.
 - 2.5 AMPS at 30 VDC resistive.
- Conduit Entrances:
 - One knockouts and one hole for ½" conduit provided.
- Service Use: NFPA 13, 13D, 13R, 72.
- IP 67.

Schematic & Dimensions (mm / Inch)



IN FIRE

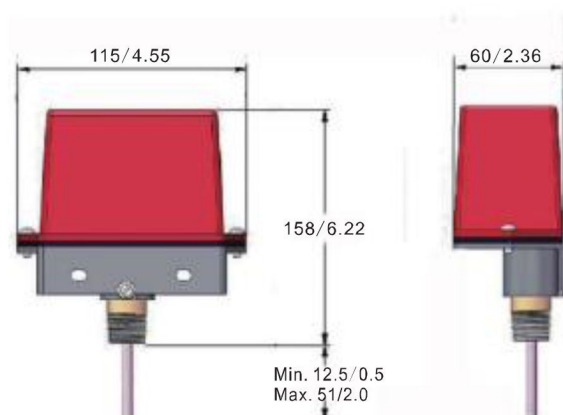
Supervisory Switch for Indicator Post and Stop Valves

FIG. WIP-1 / WIP-2 / WIP-3

Features

- Weight: 0.45 kg.
- Enclosure:
 - Cover: Die cast, Aluminum Alloy, ASTM B85 A04130. Finish: Red powder coat.
 - Base: Die cast, Aluminum Alloy, ASTM B85 A04130. All parts have corrosion resistant finishes.
- Cover tamper:
 - Tamper resistant screws.
 - Cover tamper switch available.
 - 3 AMPS / 5 AMPS at 125/250 VAC.
- Contact Ratings:
 - WIP-1: one set of SPDT.
 - WIP-2: two sets of SPDT.
 - WIP-3: two sets of SPDT and cover tamper switch.
 - 10 AMPS at 125/250 VAC.
 - 2.5 AMPS at 30 VDC resistive.
- Conduit Entrances:
 - One knockouts and one hole for ½" conduit provided.
- IP 67.

Schematic & Dimensions (mm / Inch)



Notes

- Designs, materials and specifications shown are subject to change without notice due to the continuous development of our products.





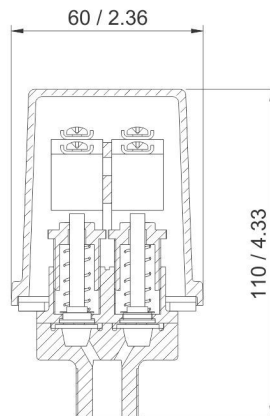
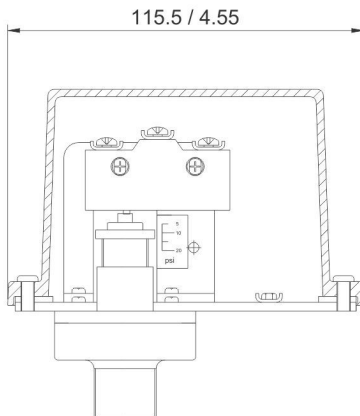
Pressure Switch

Features

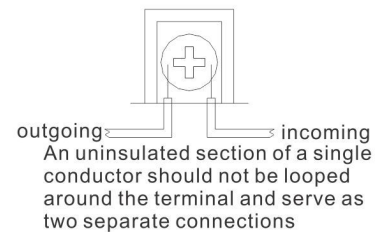
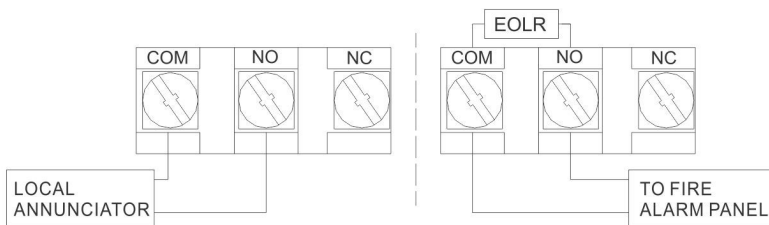
- Maximum Adjustment Pressure Range:
WPS10-1 / WPS10-2: 4-20 psi.
WPS40-1 / WPS40-2: 10-100 psi.
WPS120-1 / WPS120-2: 10-200 psi.
- Factory Setting:
WPS10-1, WPS10-2: 4-8 psi.
WPS40-1: operates at decreasing pressure at 30 psi.
WPS40-2: operates at increasing pressure at 50 psi and decreasing pressure 30 psi.
WPS120-1: operates at decreasing pressure at 110 psi.
WPS120-2: operates at increasing pressure at 130 psi and decreasing pressure 110 psi.
- Approximate Differential:
WPS10-1 / WPS10-2: 3 psi throughout range.
WPS40-1 / WPS40-2: 3 psi @ 10 psi & 6psi @ 100 psi.
WPS120-1 / WPS120-2: 3 psi @ 10 psi & 9 psi @ 200 psi.
- Contact Rating: 10A @ 125/250VAC, 2.5A @ 30VDC.
- IP 66.

IN FIRE

Schematic & Dimensions (mm / Inch)



Typical Connections



Notes: designs, materials and specifications shown are subject to change without notice due to the continuous development of our products.

• Designs, materials and specifications shown are subject to change without notice due to the continuous development of our products.



Specifications

- Single Piece Through Shaft.
- Splined Drive.
- Outdoor and Indoor Rated.
- Vulcanized Seat Design for Bubble-Tight Shutoff.
- Flag Type Position Indicator.
- Built-in Supervisory Switch.
- Face to Face Dimension complies with ASME B16.10 Narrow and EN558 Series 20.
- Connected Flange complies with ASME B16.5 Class 150 and EN1092 PN10/16. (Other Flange Types available upon request)
- UL/ULC 1091 Listed, FM 1112 Approved, VdS 2100-08en Certified.
- Rated Working Pressure:
300 psi UL/ULC Listed
300 psi FM Approved
16 bar VdS Certified

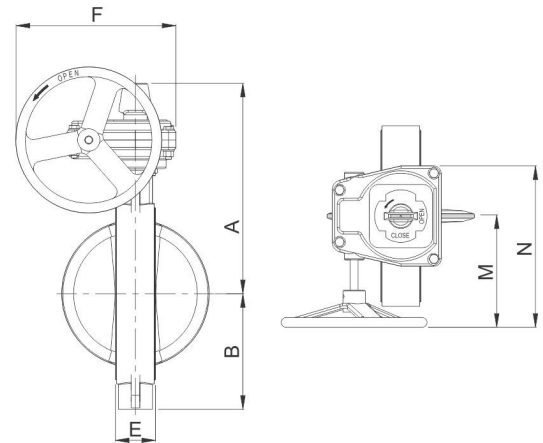
Corrosion Protection

- Fusion Bonded Epoxy Coated Interior and Exterior to AWWA C550 Standard.

Material Specifications

Part	Material	ASTM Specification
Body	Ductile Iron	A536 Grade 65-45-12
Seat	Rubber EPDM	D2000
Disc	Ductile Iron	A536 Grade 65-45-12
Shaft	Stainless Steel	A276 Type 431
Bushing	Brass	B124 C37700
Housing	Gray Cast Iron	A126 Class B
Fasteners	Carbon Steel	A307 Grade B

Schematic



Main Dimensions (mm/inch)

Size	A	B	E	F	M	N
2	230/9.00	74/2.91	43/1.69	190/7.48	150/5.90	228/8.98
2.5	240/9.45	85/3.35	46/1.81	190/7.48	150/5.90	228/8.98
3	250/9.85	95/3.75	46/1.81	190/7.48	150/5.90	228/8.98
4	265/10.45	115/4.55	52/2.06	190/7.48	150/5.90	228/8.98
5	280/11.00	130/5.10	56/2.19	215/8.46	150/5.90	228/8.98
6	295/11.60	145/5.70	56/2.19	215/8.46	150/5.90	228/8.98
8	360/14.15	170/6.70	60/2.38	280/11.02	200/7.85	303/11.93
10	410/16.15	210/8.30	68/2.70	280/11.02	200/7.85	303/11.93
12	435/17.10	240/9.50	79/3.13	280/11.02	200/7.85	303/11.93

Notes

- 2.5" to 12" valves are ULC listed.





Swing Check Valve

Specifications

- Meet or exceed the requirements of AWWA C508 standard.
- Gravity Operated, Swing Check Design.
- Inspection or replacement all parts without removing the valve from the line.
- Bosses on both sides of the body for connecting by-passes if required.
- Drain plug at the bottom under the inlet end for attaching a drain valve if required.
- Excellent Flow Characteristics.
- Superior design featuring exceptionally low pressure losses at high flow rates.
- Bolted Cover.
- Rubber Disc Facing and Bronze Seat Ring.
- Flanged Connections are Drilled per ASME B16.1 Class 125.
- Rated Working Pressure 300 psi.
- UL 312/ULC Listed and FM 1210 Approved.
- GOST Certified.

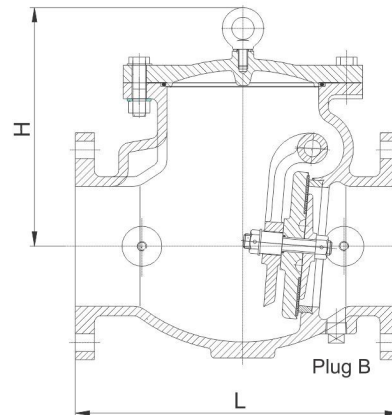
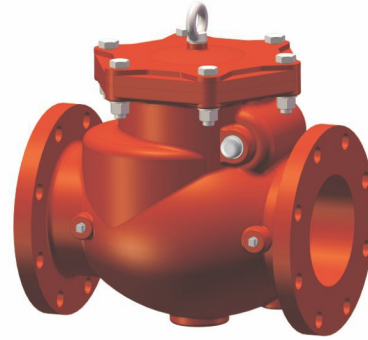
Corrosion Protection

- Fusion Bonded Coating Interior and Exterior meet or exceed all applicable of AWWA C550 Standard.

Material Specification

Part	Material	ASTM Specification
Body	Ductile Iron	A536 Grade 65-45-12
Cover	Ductile Iron	A536 Grade 65-45-12
Body Seat Ring	Bronze	B62 C83600
Disc Seat Ring	Rubber	D2000 EPDM
Seat Ring Holder	Ductile Iron	A536 Grade 65-45-12
Disc	Ductile Iron	A536 Grade 65-45-12
Body/Cover O-ring	Rubber	D2000 NBR
Clapper Arm	Ductile Iron	A536 Grade 65-45-12
Hinge Pin	Stainless Steel	A276 Type 304
Hinge Pin Plug	Stainless Steel	A276 Type 304
Plug Washer	Red Copper	
Body/Cover Fasteners	Carbon steel	A307 Grade B
Disc Seat Bolt/Nut	Stainless Steel	A276 Type 304
Eyebolt	Carbon steel	A307 Grade B

Schematic



IN FIRE

Options

- Flanged End Types: ASME B16.42 Class 150 or EN1092 - PN10/16.
- Fasteners: Stainless Steel, A2-70 / A4-70.
- 304SS Plug B optional.

Main Dimensions (mm/inch)

Size	2	2.5	3	4	5	6	8	10	12
L	203/8.0	254/10.0	279/11.0	330/13.0	356/14.0	406/16.0	495/19.5	559/22.0	660/26.0
H	132/5.2	145/5.7	152/6.0	175/6.9	295/11.6	300/11.8	357/14.1	401/15.8	465/18.3

Notes

- 5" and above sizes valve are with eyebolt for lifting.
- Designs, materials and specifications shown are subject to change without notice due to the continuous development of our products.

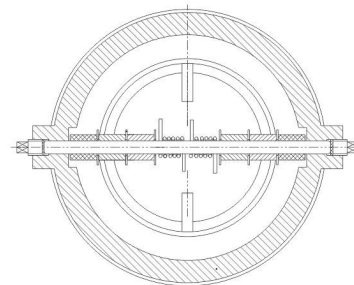
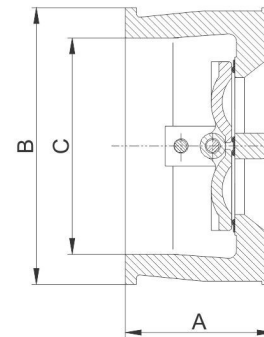
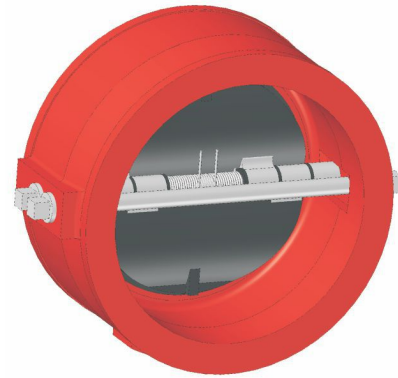


Double Door Check Valve

Specifications

- Meet or exceed the requirements of UL312 and API 594 Standard.
- Spring Loaded for Fast Closure.
- Vertical or Horizontal Installation.
- Resilient-seated for perfect tightness even at low differential pressure.
- Excellent flow characteristics and low pressure losses at high flow rates.
- Connection Ends comply with ASME B16.1 Class 125 and ASME B16.5 Class 150 Flanges.
- Rated Working Pressure
F0411-175: 175 psi
F0411: 300 psi
- UL 312 / ULC Listed.
- F0411-175 Valves are Gost Certificated.

Schematic



Corrosion Protection

- Fusion Bonded Epoxy Coated Interior and Exterior to AWWA C550 Standard.

Material Specifications

Part		Material	ASTM Specification
Body	F0411-175	Gray Cast Iron	A126 Class B
	F0411	Ductile Iron	A536 Grade 65-45-12
Body Seat Ring		Rubber	D2000 EPDM/NBR
Disc		Stainless Steel	A351 Grade CF8/CF8M
Hinge Pin		Stainless Steel	A276 Type 416
Spring		Stainless Steel	A276 Type 304
Stop Pin		Stainless Steel	A276 Type 416
Pin Retainer		Carbon Steel	A105

Main Dimensions (mm/inch)

Size	4	6	8	10	12
A	93/3.66	105/4.13	121/4.75	154/6.00	187/7.36
B	172/6.75	220/8.66	280/11.00	340/13.40	410/16.14
C	136/5.35	178/7.00	230/9.00	285/11.25	338/13.31

Notes

- Designs, materials and specifications shown are subject to change without notice due to the continuous development of our products.



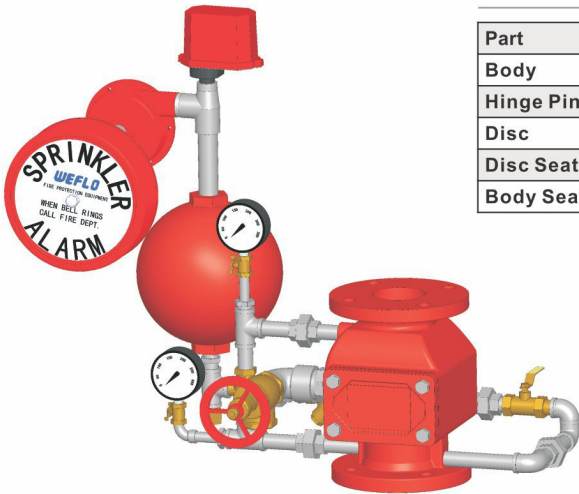


Alarm Check Valve

Specifications

- Multiple End Types for Main Valve
F1511-300: Flange by Flange
F1512-300: Flange by Groove
F1522-300: Groove by Groove
- Flanged Connections are Drilled per EN1092 -PN10/16 or ANSI B16.1 Class 125. (Other Flange Types Available Upon Request)
- Grooved Connections are cut in accordance with standard Groove Specifications for Steel Pipe.
- Excellent Flow Characteristics.
- Automatically actuates electrical and / or hydraulically operated alarms when there is a steady flow equivalent to the discharge rate for one or more sprinklers.
- Retard Chamber used in installations subject to variable pressure to help prevent false alarms.
- For use in Wet Pipe (automatic sprinkler) Fire Protection Systems.
- Alarm Check Valves should be installed vertically orientation.
- UL 193 Listed and FM 1041 Approved.
CE and GOST Certified.
- Rated Working Pressure
UL/FM: 20 to 300 psi
CE: 1.4 bar to 16 bar
- Fusion Bonded Epoxy Coated Interior and Exterior to AWWA C550 Standard.

Material Specifications



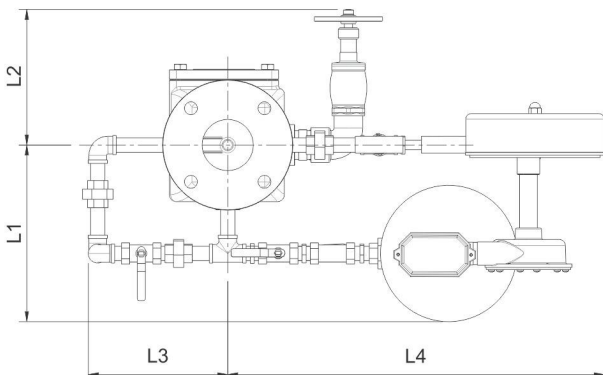
Main Valve

Part	Material	ASTM Specification	EN Specification
Body	Ductile Iron	A536 Grade 65-45-12	EN 1563 EN-GJS-450-10
Hinge Pin	Stainless Steel	A276 Type 304	EN 10088 X5CrNi18-10
Disc	Ductile Iron	A536 Grade 65-45-12	EN 1563 EN-GJS-450-10
Disc Seat	Rubber	D2000 EPDM	EN 681 EPDM
Body Seat	Bronze	B62 C83600	EN 1982 CC491K

Accessories

Specification	Material
Screwed Pipe	Carbon Steel
Pipe Fittings	Malleable Iron
Ball Valve	Brass
Pressure Gauge	Assembly
½" Check Valve	Brass
2" Angle Valve	Brass
½" Y-Strainer	Brass
Restrictor	Brass
Water Motor	Assembly
Pressure Switch	Assembly
Retard Chamber	Gray Cast Iron

Dimensions (mm/inch)



Size	L1	L2	L3	L4
3"	300/11.81	260/10.24	250/9.84	600/23.62
4"	300/11.81	260/10.24	250/9.84	600/23.62
6"	300/11.81	260/10.24	250/9.84	600/23.62
8"	350/13.78	260/10.24	250/9.84	600/23.62

Notes

• Designs, materials and specifications shown are subject to change without notice due to the continuous development of our products.

Designs, materials and specifications shown are subject to change without notice due to the continuous development of our products.



IN FIRE

Specifications

- Multiple End Types for Main Valve: Flange by Flange, Flange by Groove, Groove by Groove.
- Flanged connections are drilled per EN1092 -PN10/16 or ANSI B16.1 Class 125. (Other flange types available upon request)
- Grooved connections are cut in accordance with standard groove specifications for steel pipe.
- High-pressure, high-flow deluge systems.
- Superior design featuring exceptionally low pressure losses at high flow rates.
- Low to negligible lifelong maintenance costs to no wetted metallic and mechanical moving parts design.
- For use in dry pipe (automatic sprinkler) fire protection systems.
- Automatic or local manual emergency actuation.
- Hazardous-flammable and explosion classified area fire suppression.
- Use for electrical signal trigger system and pipeline connection diagram system, manual-reset.
- Onshore & Offshore, Naval, Industrial, Commercial & Residential fire suppression.
- Installed both Vertically and Horizontal Orientation.
- Working Pressure 20 to 300 psi.
- UL 260 Listed, GOST certified.
- Fusion Bonded Epoxy Coated Interior and Exterior to AWWA C550 Standard.

Material Specifications

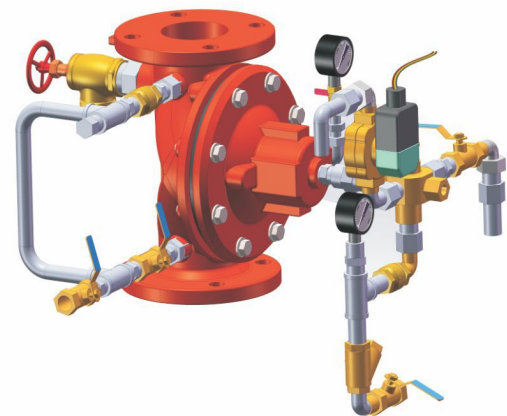
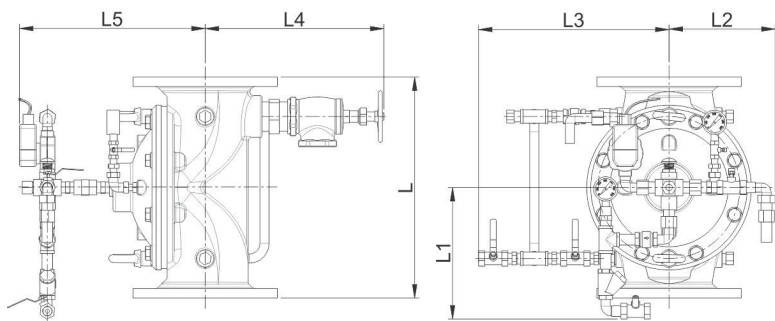
Main Valve

Part	Material	ASTM Specification
Body	Ductile Iron	A536 Grade 65-45-12
Bonnet	Ductile Iron	A536 Grade 65-45-12
Bonnet Fasteners	Carbon Steel	A307 Grade B
Diaphragm	Nylon Reinforced Natural Rubber/ EPDM/ NBR	
Spring	Stainless Steel	A276 Type 304

Accessories

Specification	Material
Tube	Type 304 SS
Pipe Fittings	Malleable Iron
Ball Valve	Brass
Solenoid Valve	Brass
½" Check Valve	Brass
Pressure Gauge	Assembly
½" Y-Strainer	Brass
Angle Valve	Brass
Water Relay	Brass
Drip Valve	Brass

Dimensions (mm/inch)



Size	2"	2-1/2"	3"	4"	5"	6"	8"	10"	12"
L	233/9.17	290/11.42	310/12.20	356/14.02	370/14.57	436/17.17	530/20.87	636/25.04	835/32.87
L1	300/11.81	300/11.81	300/11.81	300/11.81	300/11.81	300/11.81	300/11.81	320/12.60	420/16.54
L2	200/7.87	200/7.87	200/7.87	200/7.87	200/7.87	200/7.87	210/8.27	250/9.84	340/13.39
L3	400/15.75	400/15.75	410/16.14	420/16.54	430/16.93	450/17.72	470/18.50	500/19.69	530/20.87
L4	310/12.20	330/12.99	330/12.99	350/13.78	360/14.17	380/14.96	400/15.75	430/16.93	470/18.50
L5	300/11.81	310/12.20	360/14.17	360/14.17	360/14.17	380/14.96	450/17.72	480/18.90	520/20.47

Notes

- Designs, materials and specifications shown are subject to change without notice due to the continuous development of our products.





Specifications

- EN 837-1 & ASME B40.100.
- Accuracy class.
- $\pm 3/2/3\%$ of span (ASME B40.100 Grade B).

Working Pressure

- 0/80 psi, retard to 250 psi (air).
- 0/300 psi (water).

Working Temperature

- Ambient: -40°F to 140°F (-40°C to 60°C).
- Media: 140°F (+60°C) maximum.

Material Specifications

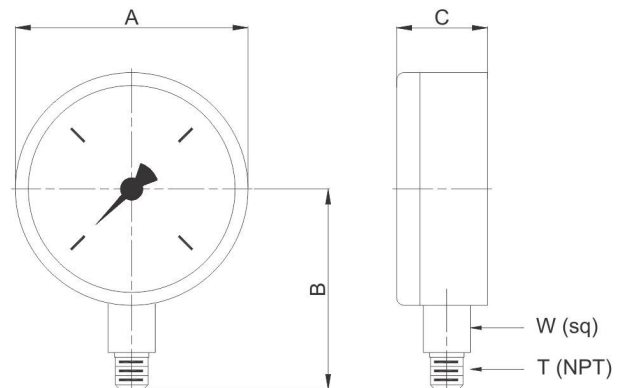
- Bourdon Tube
Material: Copper Alloy
C-type
- Pressure Connection
Material: Copper Alloy
1/4"NPT Lower Mount (LM)
- Movement
Copper Alloy
- Dial
White Aluminum with Stop Pin; Black and Red Lettering.
- Pointer
Black Aluminum
- Case
Black Polycarbonate
- Window
Snap-in Clear Polycarbonate
- Approvals
UL Listed (UL-393)
FM Approved
- Temperature Error
Additional error when temperature changes from reference temperature of 68°F(20°C)+0.4% for every 18°F(10°C) rising or falling. Percentage of Span.

Schematic



IN FIRE

- Fire Sprinkles Systems
- Suitable for all media that will not obstruct the pressure system or attack copper alloy parts
- UL Listed (UL-393), United States and Canada
- Factory Mutual (FM) Approved
- Reliable and Economical



Main Dimensions (mm/inch)

Size	A	B	C	T	W
4	100/4.0	71/2.79	30/1.18	1/4"	14/0.55

Notes

- Designs, materials and specifications shown are subject to change without notice due to the continuous development of our products.





WEFLO VALVE CO., LTD

