

Wafer Butterfly Valve

Specifications

- Meet or exceed the requirements of EN593, AS4795.1 and MSS SP-67.
- Replaceable liner for DN300 and below sizes, vulcanized liner for DN350 and above sizes.
- 2 shafts for DN300 and below sizes and 1 shaft for DN350 and above sizes.
- Mounting flange in accordance with ISO 5211 or MSS SP-102.
- Connection flanged ends: PN10/16, Class 125 and Table D/E.
- WRAS approved.

Working Pressure and Temperature

- 16bar/250psi rated at -10°C to 87°C for BUNA-N liner.
- 16bar/250psi rated at -10°C to 120°C for EPDM liner.

Corrosion Protection

- Fusion bonded coating or liquid painting interior and exterior.

Options

- 25bar available, Ductile Iron for 25bar/300psi, DN350 and larger size.
- SS304/316 stainless steel shaft.
- GX5CrNiMo19-11-2 (1.4408) Disc for #2302.
- Gear operator or handle operated.
- Built-in temper switch of gear operator.
- With two switches.

Material Specification

Part	Material	EN Specification	ASTM Specification
Body	Grey Cast Iron	EN1561, EN-GJL-250	A126 Class B
Shaft	Stainless Steel	EN10088, X20Cr13	A276, Grade 420
Disc	Stainless Steel	EN10213, GX5CrNi19-10	A351 CF8
	Bronze	EN1982, CC941K	B62 C83600
	Ductile Iron	EN1563, EN-GJS-450-10	A536 65-45-12
Liner	Rubber	EN681, EPDM or NBR	D2000
Bushing	Plastic	Commercial, PTFE	Commercial, PTFE
Shaft Sealing	O-Ring	EN681, BUNA-N	D2000 NBR

Dimensions

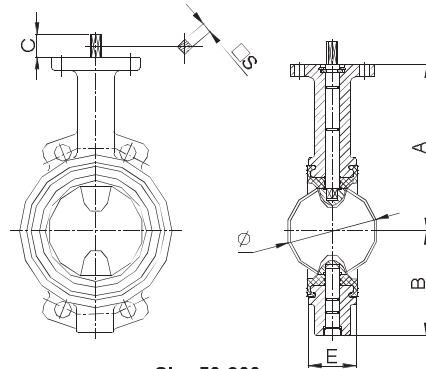
Size	DN50	DN65	DN80	DN100	DN125	DN150	DN200	DN250	DN300	DN350	DN400	DN450	DN500	DN600
A	160	175	180	200	215	225	240	295	335	370	400	425	480	565
B	80	90	95	115	135	140	175	200	235	290	315	340	390	450
E	43	46	46	52	56	56	60	68	78	78	88	109	127	154
Shaft Top Section	11×11		14×14			17×17		22×22			27×27		Dia.48	
Mounting Flange	F07						F10		F12	F14	F16			
C	30									45				

Notes

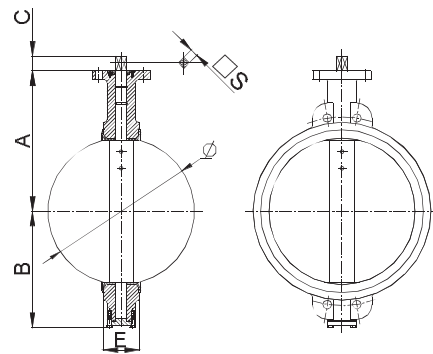
- Designs, materials and specifications shown are subject to change without notice due to the continuous development of our products.

FIG. 2302-Stainless Steel Disc
FIG. 2303-Bronze Disc
FIG. 2304-Ductile Iron Disc

Schematic



Size 50-300



Size 350-600